

systemtronic

datasheet DYKY



General description:

Original bookshelf designed to cover space and functionality requirements.
Manufactured in steel sheet and has a simple wall mounting system.

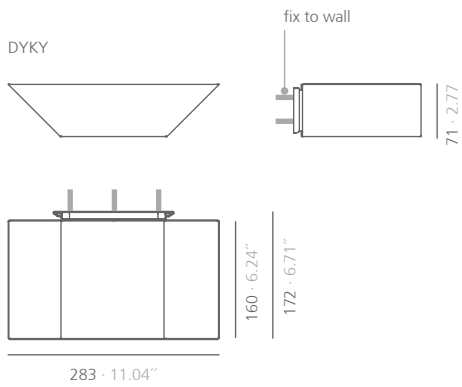
Designer: Hugo Tejada.



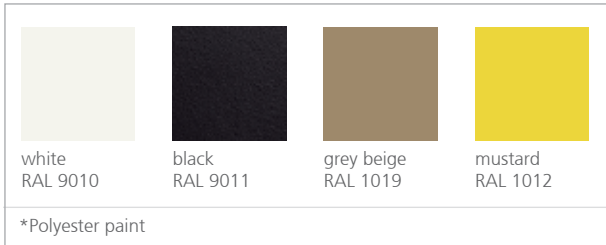
Technical description:

Material: Steel.

Dimensions: 283x172x71 mm 11.04x6.71x2.77 "



SI units: mm and inches.

Finishes:

Consult for special dimensions or any other modification.